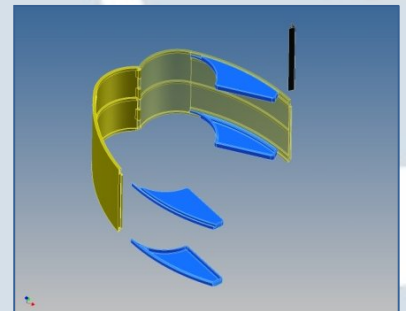
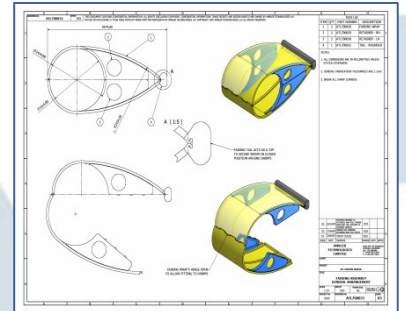




CASE STUDY - CONCEPT TO COMPLETION

Drill Riser Fairing

- Rapid Prototyping of Initial Designs
- Scale Models for Qualification Testing
- Methodology of Product Manufacture
- Full Scale Sample Production



For more details on how ATL can meet your complete development needs please contact us.

AMBLER TECHNOLOGIES LTD
Eagle Way, Off Queensway
Rochdale, Lancashire
OL11 1TQ, England

T: +44 (0)1706 716610
F: +44 (0)1706 716611
E: sales@amblertechnologies.com

